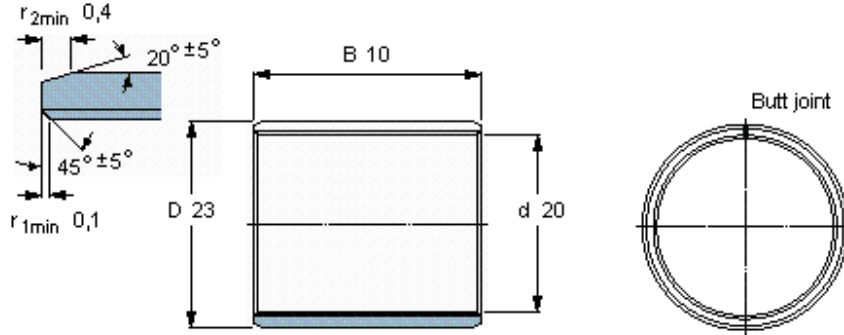


Composite dry sliding bushings, metric dimensions

| Principal dimensions | | | Basic load ratings | | Mass | Designation |
|----------------------|----|----|--------------------|--------------|--------|--------------|
| d | D | B | dynamic C | static C0 | | |
| mm | | | kN | | kg | - |
| 20 | 23 | 10 | 14,6 | 45,5 | 0,0074 | PCM 202310 E |



Specific load factor
Material constant

K 80
 $K_M 480$